

**CAST IRON OR DUCTILE IRON
AUTOMATIC AIR VALVE SIMPLE BALL**

DESIGN DESCRIPTION:

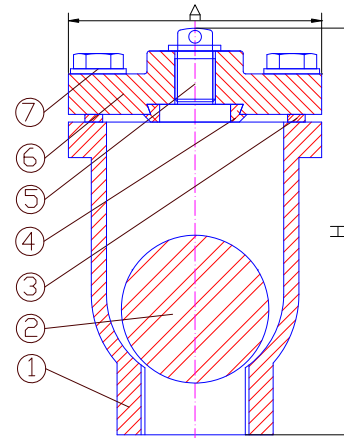
- Design: DIN3352;
- Manufacture: Factory STD;
- Thread: NPT,BSP/BSPT,DIN STD;
- Bolt cover;
- Fully guider;
- Ball seal;
- Material and Working Temp.:
 - ◆ Cast Iron and Ductile Iron: 0 °C-200 °C(32 °F -392 °F)
 - ◆ Buna-N: 71 °C(160 °F) Maximum
 - ◆ EPDM: 80 °C(176 °F) Maximum



PARTS AND MATERIAL:

No.	PARTS NAME	MATERIALS
1	BODY	ASTM A126-B/A536,DIN GG25/GGG40
2	BALL	NBR/EPDM
3	GASKET	NBR/EPDM
4	SEAT	NBR/EPDM
5	COVER NUT	BRASS
6	CAP	ASTM A126-B/A536,DIN GG25/GGG40
7	STUD	CAST STEEL

OTHER MATERIALS ARE AVAILABLE UPON REQUEST.



DIMENSIONS LIST(UNIT:MM):

Size(DN)	15	25	50
A	152	152	180
H	170	188	210

Remark: Our design can be suitable for all standard (BS, DIN, ANSI, JIS standard etc.)

◇ We hereby reserve the rights of any alternative dimension that would help to improve our valve's quality and working efficiency.