

# SHANGHAI CIPHY INDUSTRY CO.,LTD.

## ANSI CLASS 800 OF FORGED CARBON STEEL OR STAINLESS STEEL 3-PC BALL VALVE BOLTED CAP DESIGN

**MODEL NO: FLAXTH-3PAT**



### **BALL VALVE PRODUCT'S SIZE:**

PRESSURE GRADE	FROM	TO
CLASS 800	1/2"	2"

### **DESIGN DESCRIPTION:**

- \* BOLTED CAP, 3-PC
- \* FULL PORT AND REDUCE PORT
- \* OPTIONAL: WELD BONNET O.S&Y TYPE
- \* CONNECTION: THREADED END, SOCKETED END
- \* THREAD TYPE(NPT, BSPT, DIN ENDS)
- \* Anti-static feature
- \* MATERIAL:  
A105, F304, F316, F11, F22, F304L, F316L

### **WORKING PRESSURE AND TEMPERATURE**

WORKING TEMPERATURE		
MATERIAL	CELSIUR SCALE	FAHRENHEIT
CARBON STEEL	-29 <sup>0</sup> C~425 <sup>0</sup> C	6 <sup>0</sup> F~822 <sup>0</sup> F
STAINLESS STEEL	-40 <sup>0</sup> C~550 <sup>0</sup> C	15 <sup>0</sup> F~1047 <sup>0</sup> F

### **GENERAL DESIGN SPECIFICATIONS:**

ITEM	CLASS 800
MANUFACTURE	BS5351
PRESSURE-TEMPERATURE RATINGS	ANSI B16.34
SCREW THREADED DIMENSIONS	ANSI B 1.20.1
INSPECTION AND TEST	API 598

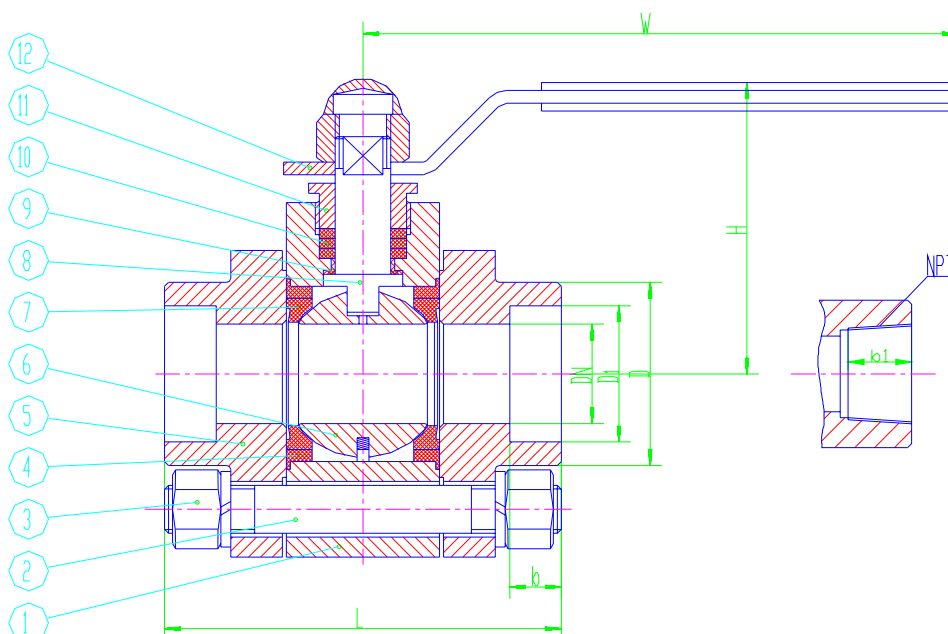
### **TEST PRESSURE TO API 598**

ANSI	SHELL (WATER)		SEAT (WATER)		SEAT (AIR)		BACK SEAT (WATER)	
CLASS 800	21.1MPA	3000PSI	15.5MPA	2200PSI	0.6MPA	80PSI	15.5MPA	2200PSI

### **PARTS AND MATERIAL (ASTM)**

NO.	PARTS NAME	MATERIALS				
1	BODY	ASTM A105	ASTM F304	ASTM F316	ASTM F304L	ASTM F316L
2	BODY STUD	ASTM A193 B7	ASTM A193 B8M			
3	BODY STUD NUT	ASTM A194 2H	ASTM A194 8M			
4	BODY SEAL	PTFE				
5	CAP	ASTM A105	ASTM F304	ASTM F316	ASTM F304L	ASTM F316L
6	BALL	A105+ENP/F304	F304	F316	F304L	F316L
7	SEAT	R-PTFE/NYLON				
8	STEM	F6a	F304	F316	F304L	F316L
9	LOWER STEM SEAL	PTFE				
10	STEM PACKING	RAINFORCED GRAPHITE				
11	GLAND	ASTM A182 F6	ASTM F304L	ASTM F316L	ASTM F304L	ASTM F316L
12	HANDLE	STEEL+PLASTIC				

OTHER MATERIALS ARE AVAILABLE UPON REQUEST.



### **DIMENSIONS LIST(UNIT:MM):**

#### Class 600/800 STANDARD PORT

DN	SIZE	d	D	D1	b	NPT	L	b1	H	W
15	1/2"	10	32	21.8	9.5	1/2"	72	15	42	100
20	3/4"	15	37	27.4	13	3/4"	86	15	60	125
25	1"	19	46	34.2	13	1"	100	19	75	140
40	1-1/2"	23	64	48.9	13	1-1/2"	130	25	73	150
50	2"	38	86	61.4	16	1/2"	166	30	125	250

#### Class 600/800 FULL PORT

15	1/2"	15	32	21.8	9.5	1/2"	72	15	60	125
20	3/4"	19	37	27.4	13	3/4"	86	15	75	140
25	1"	23	46	34.2	13	1"	100	19	73	150
40	1-1/2"	38	64	48.9	13	1-1/2"	130	25	125	250
50	2"	51	86	61.4	16	1/2"	166	30	162	350

#### Class 900/1500

15	1/2"	14	36	22	10	1/2	130		90	180
20	3/4"	19	42	27.3	13	3/4	140		95	200
25	1"	25	50	34	13	1	150		106	220
32	1-1/4"	32	58	42.8	13	1-1/4	180		115	250
40	1-1/2"	38	70	48.9	13	1-1/2	200		125	250
50	2	51	86	61.4	16	2	250		150	350

**\* We hereby reserve the rights of any alternative dimension that would help to improve our valve's quality and working efficiency**



**SHANGHAI CIPHY INDUSTRY CO.,LTD**  
**7G-1 Building, N0.515 Yishan Rd.**  
**Shanghai, China**  
**TEL:+86-21-5497 5962**  
**FAX:+86-21-5497 5963**  
**HTTP://WWW.CIPHY.CN**  
**CIPHY@CIPHY.COM**  
**COPYRIGHT©2004-[CIPHY]**  
**ALL RIGHTS RESERVED.**