

SHANGHAI CIPHY INDUSTRY CO.,LTD.

ANSI CLASS 150/300/600/900/1500

CARBON STEEL OR STAINLESS STEEL

2-PC BALL VALVE TRUNNION TYPE

MODEL NO: SLAXRF-2P-TR



BALL VALVE PRODUCT'S SIZE:

PRESSURE GRADE	FROM	TO
CLASS 150	4"	36"
CLASS 300	4"	36"
CLASS 600	2"	24"
CLASS 900	2"	16"
CLASS 1500	2"	12"

DESIGN DESCRIPTION:

- * BOLTED CAP, 2-PC
- * FULL PORT
- * CONNECTION: RF, RTJ
- * FLANGE TYPE(ANSI,DIN,BS)
- * Anti-static feature

WORKING PRESSURE AND TEMPERATURE

WORKING TEMPERATURE		
MATERIAL	CELSIUR SCALE	FAHRENHEIT
CARBON STEEL	-29 ⁰ C~425 ⁰ C	6 ⁰ F~822 ⁰ F
STAINLESS STEEL	-40 ⁰ C~550 ⁰ C	15 ⁰ F~1047 ⁰ F

GENERAL DESIGN SPECIFICATIONS:

ITEM	CLASS 150/300/600/900/1500
MANUFACTURE	API 6D OR API608
PRESSURE-TEMPERATURE RATINGS	ANSI B16.34
FACE TO FACE	ANSI B16.10
END FLANGE	ANSI B16.5
INSPECTION AND TEST	API 598 OR API 6D OR API 607

TEST PRESSURE TO API 598

ANSI	SHELL (WATER)		SEAT (WATER)		SEAT (AIR)	
150	3.1MPA	450PSI	2.2MPA	315PSI	2.2MPA	315PSI
300	7.8MPA	1125PSI	5.6MPA	815PSI	5.6MPA	815PSI
600	15.3MPA	2225PSI	11.2MPA	1630PSI	11.2MPA	1630PSI
900	7.8MPA	1125PSI	5.6MPA	815PSI	0.6MPA	80PSI
1500	3.1MPA	450PSI	2.2MPA	315PSI	0.6MPA	80PSI

TRIMS SPECIFIED DUE TO TABLE 3:

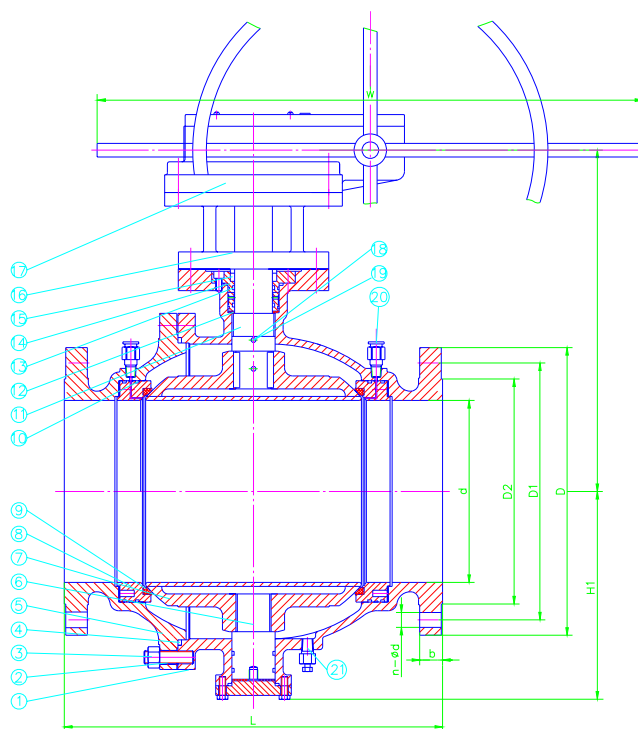
BALL PART NO.7	SEAT PART NO.9	STEM PART NO.6/11
F6	RPTFE/NYLON/PEEK	F6
F304	RPTFE/NYLON/PEEK	F304
F316	RPTFE/NYLON/PEEK	F316

OTHER MATERIALS ARE AVAILABLE UPON REQUEST.

PARTS AND MATERIAL (ASTM)

NO.	PARTS NAME	MATERIALS				
		ASTM A216-WCB	A351-CF8	A351-CF8M	A351-CF3	A351-CF3M
1	BODY	ASTM A216-WCB	A351-CF8	A351-CF8M	A351-CF3	A351-CF3M
2	BODY STUD	ASTM A193 B7	ASTM A193 B8M			
3	BODY NUT	ASTM A194 2H	ASTM A194 8M			
4	GASKET	PTFE				
5	CAP	ASTM A216-WCB	A351-CF8	A351-CF8M	A351-CF3	A351-CF3M
6	BUTTOM STEM	F6a	F304	F316	F304L	F316L
8	METAL SEAT	A105+ENP	F304	F316	F304L	F316L
10	O-RING	EPDM OR NBR OR VITON				
12	STEM GASKET	GRAPHITE OR R-PTFE				
13	STEM METAL PACKING	ASTM A182 F6	ASTM F304	ASTM F316	ASTM F304L	ASTM F316L
14	GLAND	ASTM A182 F6	ASTM F304	ASTM F316	ASTM F304L	ASTM F316L
15	STEM PACKING	GRAPHITE				
16	YOKE	ASTM A216-WCB	A351-CF8	A351-CF8M	A351-CF3	A351-CF3M
17	GEAR	DUCTILE IRON				
18	BALL	F304	F3104	ASTM F316	ASTM F304L	ASTM F316L
19	SPRING	F304	F3104	ASTM F316	ASTM F304L	ASTM F316L
20	SEALANT INJECTION	CARBON STEEL				

OTHER MATERIALS ARE AVAILABLE UPON REQUEST.



DIMENSIONS LIST(UNIT:MM):

CLASS 150																
DN	INCH	L			d	D	D1	D2	b	f	Z-d0	H	H1	W	WEIGHT(kg)	
		RF	RJ	BW												
100	4	229	-	305	102	229	190.5	157	24	1.6	8-19	330	135	300	60	
125	5	356	-	381	127	254	216	186	24	1.6	8-22	360	165	300	80	
150	6	394	-	457	152	279	241.5	216	25.5	1.6	8-22	392	193	300	101	
200	8	457	-	521	203	343	298.5	270	29	1.6	8-22	492	240	300	166	
250	10	533	-	559	254	406	362	324	31	1.6	12-25	548	293	300	283	
300	12	610	-	635	305	483	432	381	32	1.6	12-25	688	340	400	463	
350	14	686	-	762	337	533	476	413	35	1.6	12-29	722	372	400	622	
400	16	762	-	838	387	597	540	470	37	1.6	16-29	722	415	400	900	
450	18	864	-	914	438	635	578	533	40	1.6	16-32	804	462	500	1150	
500	20	914	-	991	489	699	635	584	43	1.6	20-32	952	511	600	1360	
600	24	1067	-	1143	591	813	749.5	592	48	1.6	20-35	1154	601	750	2514	
650	26	1143	-	1245	633	786	744.5	711	40	1.6	36-22	1300	700	750	3200	
700	28	1245	-	1346	684	837	795.5	762	43	1.6	40-22	1550	780	750	4000	
750	30	1295	-	1397	735	887	846	813	43	1.6	44-22	1650	830	750	4800	
800	32	1372	-	1524	779	941	900	864	44	1.6	48-22	1740	870	750	5800	
900	36	1524	-	1727	874	1057	1009.5	972	51	1.6	44-26	1950	970	750	8000	

CLASS 300															
100	4	305	-	305	102	254	200	157	32	1.6	8-22	340	140	300	70
125	5	381	-	381	127	279	235	186	35	1.6	8-22	370	170	300	95
150	6	403	-	457	152	318	270	216	37	1.6	12-22	402	192	300	128
200	8	502	-	521	203	381	330	270	41.5	1.6	12-25	498	246	300	234
250	10	568	-	559	254	445	387.5	324	48	1.6	16-29	655	303	400	403
300	12	648	-	635	305	521	451	381	51	1.6	16-32	658	348	400	602
350	14	762	-	762	337	584	514.5	413	54	1.6	20-32	686	378	400	803
400	16	838	-	838	387	648	571.5	470	58	1.6	20-35	880	429	600	1273
450	18	914	-	914	438	711	628.5	533	61	1.6	24-35	1050	518	750	1450
500	20	991	-	991	489	775	686	584	64	1.6	24-35	1110	540	750	1700
600	24	1143	-	1143	591	914	813	692	70	1.6	24-41	1400	650	750	3100
650	26	1245	-	1245	633	867	803.5	737	87	1.6	32-35.5	1500	750	750	4500
700	28	1346	-	1346	684	921	857	787	87	1.6	36-35.5	1600	800	750	6000
750	30	1397	-	1397	735	991	921	845	92	1.6	36-39	1720	860	750	7500
800	32	1524	-	1524	779	1054	978	902	102	1.6	32-42	1800	900	750	9000
900	36	1727	-	1727	874	1172	1089	1010	102	1.6	32-45	2200	1020	600	12000
CLASS 600															
50	2	292	295	292	51	165	127	92	26	6.4	8-19	240	94	300	32
65	2-1/2	330	333	330	64	190	149	105	29	6.4	8-22	290	115	300	47
80	3	356	359	356	76	210	168	127	32	6.4	8-22	340	136	300	68
100	4	432	435	432	102	273	216	157	38	6.4	8-25	358	152	300	106
125	5	508	511	508	127	330	266.5	186	45	6.4	8-29	400	180	300	170
150	6	559	562	559	152	356	292	216	48	6.4	12-29	445	209	400	241
200	8	660	664	660	203	419	349	270	56	6.4	12-32	598	263	400	444
250	10	787	791	787	254	508	432	324	64	6.4	16-35	653	312	400	668
300	12	838	841	838	305	559	489	381	67	6.4	20-35	665	354	500	1050
350	14	889	892	889	334	603	527	413	70	6.4	20-38	738	389	600	1317
400	16	991	994	991	385	686	603	470	77	6.4	20-41	920	440	750	1800
450	18	1092	1095	1092	436	743	654	533	83	6.4	20-44	1100	530	750	2400
500	20	1194	1200	1194	487	813	724	584	89	6.4	24-44	1200	560	750	3000
600	24	1397	1407	1397	538	940	838	692	102	6.4	24-52	1480	670	750	5400
CLASS 900															
50	2	368	371	368	51	216	165.1	92	38.5	6.4	8-26	250	98	300	45
65	2-1/2	419	422	419	64	244	190.5	105	41.5	6.4	8-29	300	120	300	55
80	3	381	384	381	76	241	190.5	127	38.5	6.4	8-26	345	140	300	94
100	4	457	460	457	102	292	234.9	157	44.5	6.4	8-32	415	162	300	141
125	5	559	562	559	127	349	279.4	186	51	6.4	8-35	446	188	300	230
150	6	610	613	610	152	381	317.5	216	56	6.4	12-32	477	213	400	325
200	8	737	740	737	203	470	393.7	270	63.5	6.4	12-39	520	270	400	580
250	10	838	841	838	254	545	469.9	324	70	6.4	16-39	628	322	400	850
300	12	965	968	965	305	610	533.4	381	79.5	6.4	20-39	680	360	500	1330
350	14	1029	1038	1029	322	640	558.8	413	86	6.4	20-42	750	400	600	1660
400	16	1130	1140	1130	373	705	615.9	470	89	6.4	20-45	940	460	750	2280
CLASS 1500															
40	1-1/2	305	305	305	38	178	123.8	73	32	6.4	4-29	280	100	300	44
50	2	368	371	368	51	216	165.1	92	38.5	6.4	8-26	320	113	300	67
65	2-1/2	419	422	419	64	244	190.5	105	41.5	6.4	8-29	340	125	300	80
80	3	470	473	470	76	267	203.2	127	48	6.4	8-32	385	138	300	130
100	4	546	549	546	102	311	241.3	157	54	6.4	8-35	415	171	300	192
125	5	673	676	673	125	375	292.1	186	73.5	6.4	8-42	480	200	400	335
150	6	705	711	705	144	394	317.5	216	83	6.4	12-39	580	222	400	475
200	8	832	841	832	192	483	393.7	270	92	6.4	12-45	584	280	400	820
250	10	991	1000	991	239	585	482.6	324	108	6.4	12-51	650	340	500	1320
300	12	1130	1146	1130	287	675	571.5	381	124	6.4	16-54	700	370	600	2050

*** We hereby reserve the rights of any alternative dimension that would help to improve our valve's quality and working efficiency**



SHANGHAI CIPHY INDUSTRY CO.,LTD
7G-1 Building, N0.515 Yishan Rd.
Shanghai, China
TEL:+86-21-5497 5962
FAX:+86-21-5497 5963
HTTP://WWW.CIPHY.CN
CIPHY@CIPHY.COM
COPYRIGHT©2004-[CIPHY]
ALL RIGHTS RESERVED.