

# SHANGHAI CIPHY INDUSTRY CO.,LTD.

## ANSI 2000WOG

### CARBON STEEL OR STAINLESS STEEL

### 2-PC BALL VALVE BOLTED CAP DESIGN

**MODEL NO: SLAXTH-2P-2000**



#### **BALL VALVE PRODUCT'S SIZE:**

PRESSURE GRADE	FROM	TO
ANSI 2000WOG	1/4"	4"

#### **DESIGN DESCRIPTION:**

- \* BOLTED CAP, 2-PC
- \* INVESTMENT CASTING BODY
- \* BLOW-OUT PROOF STEM DESIGN
- \* STANDARD PORT
- \* CONNECTION: THREADED ENDS
- \* THREAD TYPE(ANSI,DIN,BS)

#### **WORKING PRESSURE AND TEMPERATURE**

WORKING TEMPERATURE		
MATERIAL	CELSIUR SCALE	FAHRENHEIT
CARBON STEEL	-29°C~200°C	6°F~392°F
STAINLESS STEEL	-40°C~200°C	15°F~392°F

#### **GENERAL DESIGN SPECIFICATIONS:**

ITEM	ANSI 1000WOG
MANUFACTURE	FACTORY STANDARDS
PRESSURE-TEMPERATURE RATINGS	ANSI B16.34
END THREAD	Npt , din , bsp ,jis
INSPECTION AND TEST	API 598

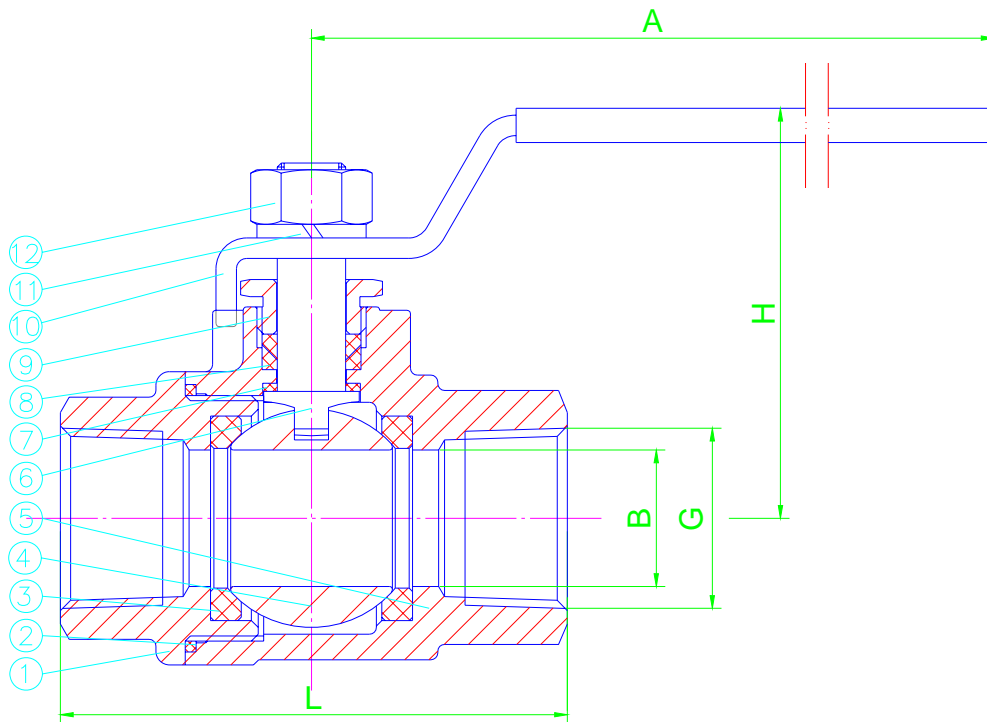
#### **TEST PRESSURE TO API 598**

ANSI	SHELL (WATER)		SEAT (WATER)		SEAT (AIR)	
2000	21.0MPA	3000PSI	15.4MPA	2200PSI	0.6MPA	80PSI

#### **PARTS AND MATERIAL (ASTM)**

NO.	PART NAME	MATERIAL
1	END CAP	ASTM A216-WCB, A351-CF8/CF8M
2	GASKET	PTFE
3	SEAT	PTFE
4	SOLID BALL	ASTM A351-CF8/CF8M
5	BODY	ASTM A216-WCB, A351-CF8/CF8M
6	STEM	SS316/SS304
7	THRUST WASHER	PTFE
8	STEM PACKING	PTFE
9	GLAND NUT	SS 304
10	HANDLE	CARBON STEEL/SS 304
11	HALF-WASHER	SS 304
12	HANDLE NUT	SS 304

OTHER MATERIALS ARE AVAILABLE UPON REQUEST.



### DIMENSIONS LIST(UNIT:MM):

DN	G	B	L	H	A
6	1/4"	10	50	50	80
10	3/8"	10	50	50	80
15	1/2"	12	60	55	90
20	3/4"	15	70	60	100
25	1"	20	80	70	120
32	1-1/4"	25	90	80	135
40	1-1/2"	32	100	90	160
50	2"	38	118	100	180

**\* We hereby reserve the rights of any alternative dimension that would help to improve our valve's quality and working efficiency**



**SHANGHAI CIPHY INDUSTRY CO.,LTD**  
**7G-1 Building, N0.515 Yishan Rd.**  
**Shanghai, China**  
**TEL:+86-21-5497 5962**  
**FAX:+86-21-5497 5963**  
**HTTP://WWW.CIPHY.CN**  
**CIPHY@CIPHY.COM**  
**COPYRIGHT©2004-[CIPHY]**  
**ALL RIGHTS RESERVED.**