

# SHANGHAI CIPHY INDUSTRY LTD.,CO.

## DIN PN16/25 TRIPLE ECCENTRIC TYPE CARBON STEEL OR STAINLESS STEEL BUTTERFLY VALVE BUTT-WELDING ENDS

**MODEL NO: SFDXBT-3ML**



### **BUTTERFLY VALVE PRODUCT'S SIZE:**

PRESSURE GRADE	FROM	TO
PN16	4"	56"
PN25	4"	56"

### **DESIGN DESCRIPTION:**

- \* CAST STEEL BUTTERFLY VALVE PN16/25
- \* TRIPLE ECCENTRIC TYPE.
- \* MULTILAYER DISC SEAL IN STAINLESS STEEL+GRAPHITE OR PTFE/R-PTFE
- \* AVAILABLE PTFE SEAL
- \* METAL SEAT FACING.
- \* CONNECTION: BUTT-WELDING ENDS

### **WORKING PRESSURE AND TEMPERATURE**

WORKING TEMPERATURE	
MATERIAL	CELSIUS SCALE
CARBON STEEL	-29°C~220°C
STAINLESS STEEL	-40°C~220°C

### **GENERAL DESIGN SPECIFICATIONS:**

ITEM	GERMANY STANDARD
MANUFACTURE	DIN3202
PRESSURE-TEMPERATURE RATINGS	ANSI B16.34
FACE TO FACE	DIN 3202 K3
END BUTT-WELDING	CUSTOMER STD
INSPECTION AND TEST	DIN3230 OR API598

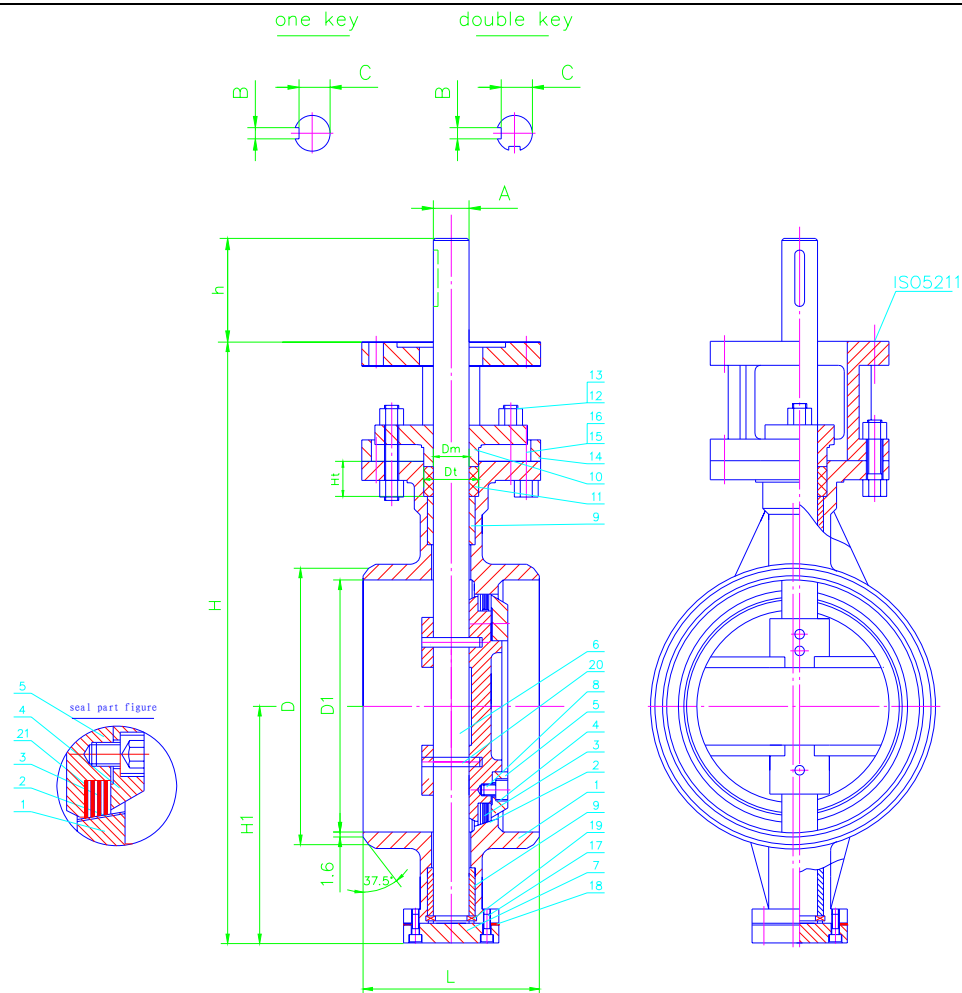
### **TEST PRESSURE TO API 598**

DIN	SHELL (WATER)	SEAT (WATER)	SEAT (AIR)
PN16	2.4MPA	2.64MPA	0.6MPA
PN25	3.6MPA	3.96MPA	0.6MPA

### **PARTS AND MATERIAL (ASTM)**

NO.	PART NAME	MATERIAL
1	BODY	ASTM A216-WCB/A351-CF8/CF8M
2	SEAL FACING	13CR/SS304/SS316
3	SEAL RING	SS304+GRAPHITE/SS316+GRAPHITE/PTFE/R-PTFE
4	RETAINING RING	ASTM A105/A182-F304/F316
5	DISC	ASTM A216-WCB/A351-CF8/CF8M
6	SHAFT	A182-F6a/F304/F316
7	BOTTOM COVER	ASTM A105/A182-F304/F316
8	CAP SCREW	ASTM A1894-B8/B8M
9	STEM BEARING	STEEL LINING PTFE
10	PACKING FLANGE	ASTM A216-WCB/A351-CF8/CF8M
11	PACKING RING	GRAPHITE
12	GLAND BOLT	CARBON STEEL
13	GLAND NUT	CARBON STEEL
14	YOKE	CARBON STEEL
15	YOKE BOLT	CARBON STEEL
16	YOKE NUT	CARBON STEEL
17	COVER STUD	CARBON STEEL
18	COVER GASKET	GRAPHITE
19	THRUST BEARING	ASTM A276-410
20	DISC PIN	ASTM A276-410
21	GASKET	GRAPHITE

OTHER MATERIALS ARE AVAILABLE UPON REQUEST.



### DIMENSIONS LIST (UNIT:MM):

DN	D	D1	L	H	H1	h	ISO5211	A	B	C	Dt	Dm	Ht
100	115	105	127	305	120	35	F07	18	6	14.5	28	18	25
125	140	130	140	350	135	35	F07	18	6	14.5	30	20	25
150	172	155	140	420	155	45	F10	24	8	20	38	24	28
200	219	200	230	495	190	45	F10	30	8	26	46	30	30
250	273	250	250	570	225	55	F12	35	10	30	48	35	40
300	325	300	270	700	270	65	F14	45	14	39.5	58	45	40
350	377	350	290	750	300	65	F14	45	14	39.5	58	45	45
400	426	400	310	840	335	80	F16	50	14	44.5	70	50	50
450	478	450	330	900	365	80	F16	50	14	44.5	75	55	50
500	530	500	350	960	395	80	F16	58	16	52	75	58	50
600	630	600	390	1150	467	110	F25	66	20	58.5	85	66	60
700	720	700	430	1265	525	130	F30	72	20	64.5	95	72	60
800	820	800	470	1420	590	130	F30	82	2-22	73	105	82	60
900	920	900	510	1500	645	180	F35	102	2-28	92	125	102	60
100	1020	1000	550	1690	725	180	F35	120	2-32	109	145	120	70
1200	1220	1200	630	1920	850	200	F40	140	2-36	128	165	140	70
1400	1420	1400	710	2180	995	200	F40	150	2-36	138	188	160	90

**\* We hereby reserve the rights of any alternative dimension that would help to improve our valve's quality and working efficiency**



**SHANGHAI CIPHY INDUSTRY CO.,LTD**  
**7G-1 Building, N0.515 Yishan Rd.**  
**Shanghai, China**  
**TEL:+86-21-5497 5962**  
**FAX:+86-21-5497 5963**  
**HTTP://WWW.CIPHY.CN**  
**CIPHY@CIPHY.COM**  
**COPYRIGHT©2004-[CIPHY]**  
**ALL RIGHTS RESERVED.**