

SHANGHAI CIPHY INDUSTRY CO.,LTD.

ANSI CLASS 150/300/600/900

CARBON STEEL OR STAINLESS STEEL

TILTING CHECK VALVE BOLTED BONNET DESIGN

MODEL NO: SCAXRF-TL



TILTING CHECK VALVE PRODUCT'S SIZE:

PRESSURE GRADE	FROM	TO
CLASS 150	2"	16"
CLASS 300	2"	14"
CLASS 600	2"	12"

DESIGN DESCRIPTION:

- * **BOLTED COVER;**
- * **FULLY GUIDER;**
- * **INTEGRAL SEATS;**
- * **TILTING TYPE;**
- * **FLANGED ENDS OR BUTT-WELDING ENDS;**
- * **RISING FLANGE OR RING TYPE JOINT.**

WORKING PRESSURE AND TEMPERATURE

WORKING TEMPERATURE		
MATERIAL	CELSIUR SCALE	FAHRENHEIT
CARBON STEEL	-290C~4250C	60F~8220F
STAINLESS STEEL	-400C~5500C	150F~10470F

GENERAL DESIGN SPECIFICATIONS:

ITEM	AMERICAN STANDARD
MANUFACTURE	API 6D OR API 594
PRESSURE-TEMPERATURE RATINGS	ANSI B16.34
FACE TO FACE	API 6D OR API 594
END FLANGE	ANSI B16.5
INSPECTION AND TEST	API 598

TEST PRESSURE TO API 598 OR BS 6755 PATRT 1

CLASS	SHELL (WATER)		SEAT (WATER)	
150	3.1MPA	450PSI	2.2MPA	315PSI
300	7.8MPA	1125PSI	5.6MPA	815PSI
600	15.3MPA	2225PSI	11.2MPA	1630PSI

TRIMS SPECITIED DUE TO TABLE 3:

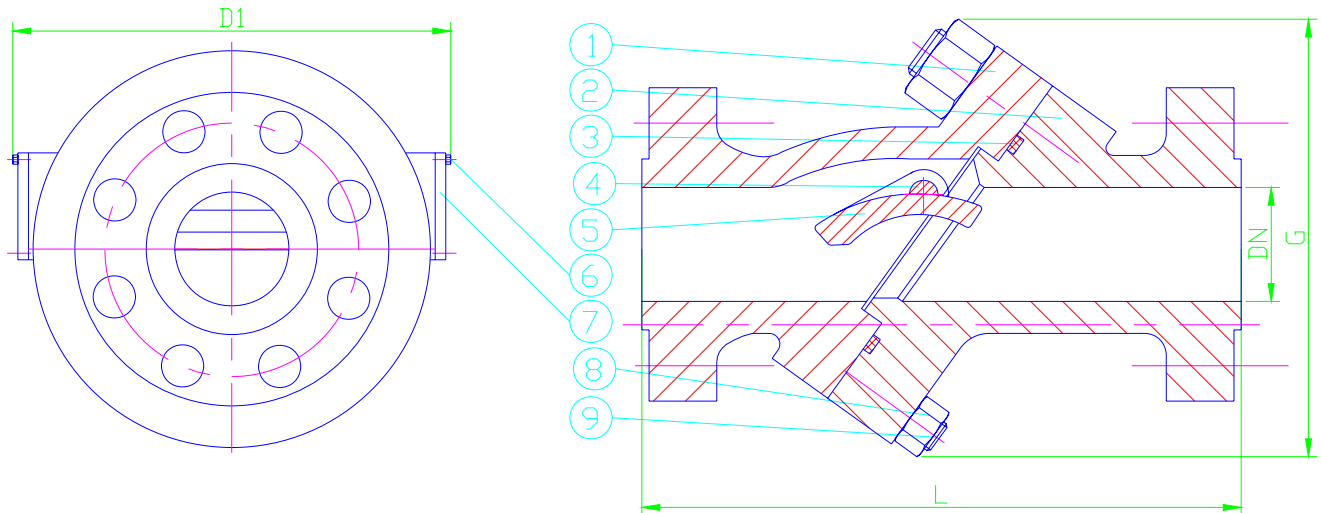
DISC SEAT SURFACE PART NO.5	BODY SEAT SURFACE PART	PIN PART NO.4
F6	F6	F6
STELLITE	STELILITE	F6
F6	STELILITE	F6
304	304	F304
316	316	F316
304L	304L	F304L
316L	316L	F316L

OTHER MATERIALS ARE AVAILABLE UPON REQUEST.

PARTS AND MATERIAL (ASTM)

NO	PARTS NAME	MATERIAL						
1	LEFT BODY	A216-WCB	A351-CF8	A351-CF8M	A351-CF3	A351-CF3M	A217-WC6	A217-WC9
2	RIGHT BODY	A216-WCB	A351-CF8	A351-CF8M	A351-CF3	A351-CF3M	A217-WC6	A217-WC9
3	GASKET	REINFORCED FLAT GRAPHITE,OR SS SPIREAL WOUND W/GRAPHITE OR PTFE						
6	STUD	A193B7	A193B8	A193B8	A193B8	A193B8	A193B8	A193B8
7	CAP	A216-WCB	A351-CF8	A351-CF8M	A351-CF3	A351-CF3M	A351-CF8	A351-CF8
8	COVER BOLTED NUT	A1942H	A193B8	A193B8	A193B8	A193B8	A193B8	A193B8
9	COVER BOLT	A193B7	A193B8	A193B8	A193B8	A193B8	A193B8	A193B8

OTHER MATERIALS ARE AVAILABLE UPON REQUEST.



DIMENSIONS LIST(UNIT:mm):

Class150

NPS	2	2-1/2	3	4	6	8	10	12	14	16	18	20	24	26	28	30	32
DN	50	65	80	100	150	200	250	300	350	400	450	500	600	650	700	750	800
L	203	216	241	292	356	495	622	698	787	864	978	978	1295	1295	1143	1143	1194
D	160	182	196	230	300	390	432	510	540	635	700	770	900	930	991	1020	1150
W	178	198	224	252	326	426	456	530	576	670	740	818	948	988	1050	1090	1240
WT (kg)	11	16	22	34	62	112	169	238	337	420	550	685	910	1055	1260	1540	1860

Class300

NPS	2	2-1/2	3	4	6	8	10	12	14	16	18	20	24	26	28	30	32
DN	50	65	80	100	150	200	250	300	350	400	450	500	600	650	700	750	800
L	267	292	318	356	444	533	622	711	838	864	978	1016	1346	1346	1295	1372	1448
D	170	196	214	245	320	400	460	540	580	660	725	800	940	970	1040	1080	1210
W	198	220	232	268	360	426	457	572	620	690	760	848	988	1018	1250	1280	1350
WT (kg)	17	22	32	97	110	162	228	380	443	530	780	980	1320	1364	1762	2050	2870

Class600

NPS	2	2-1/2	3	4	6	8	10	12	14	16	18	20	24
DN	50	65	80	100	150	200	250	300	350	400	450	500	600
L	292	330	356	432	559	660	787	838	889	991	1092	1194	1397
D	185	196	210	270	340	440	520	570	610	690	755	850	990
W	212	225	240	298	405	460	492	602	650	710	780	902	1040
WT (kg)	27	44	47	115	190	320	430	586	750	1015	1480	2050	2550

*** We hereby reserve the rights of any alternative dimension that would help to improve our valve's quality and working efficiency**



SHANGHAI CIPHY INDUSTRY CO.,LTD
7G-1 Building, N0.515 Yishan Rd.
Shanghai, China
TEL:+86-21-5497 5962
FAX:+86-21-5497 5963
HTTP://WWW.CIPHY.CN
CIPHY@CIPHY.COM
COPYRIGHT©2004-[CIPHY]
ALL RIGHTS RESERVED.