

SHANGHAI CIPHY INDUSTRY CO.,LTD.

DIN PN10/16

CAST STEEL OR STAINLESS STEEL

SWING CHECK VALVE THIN DESIGN

MODEL NO: SCAXWF-TSW



THIN SWING CHECK VALVE PRODUCT'S SIZE:

PRESSURE GRADE	FROM	TO
PN10/16	1-1/2"	12"

DESIGN DESCRIPTION:

- * WAFER TYPE;
- * SPRING AND NO SPRING;
- * THIN STRUCTURE;

WORKING PRESSURE AND TEMPERATURE:

MATERIAL	CELSIUR SCALE	FAHRENHEIT
CARBON STEEL	SEAL TEMPERATURE	SEAL TEMPERATURE
STAINLESS STEEL	SEAL TEMPERATURE	SEAL TEMPERATURE

GENERAL DESIGN SPECIFICATIONS:

ITEM	DINPN10/16
MANUFACTURE	FACTORY STANDARDS
END FLANGE	ANIS, DIN, BS ETC.
INSPECTION AND TEST	DIN 3230

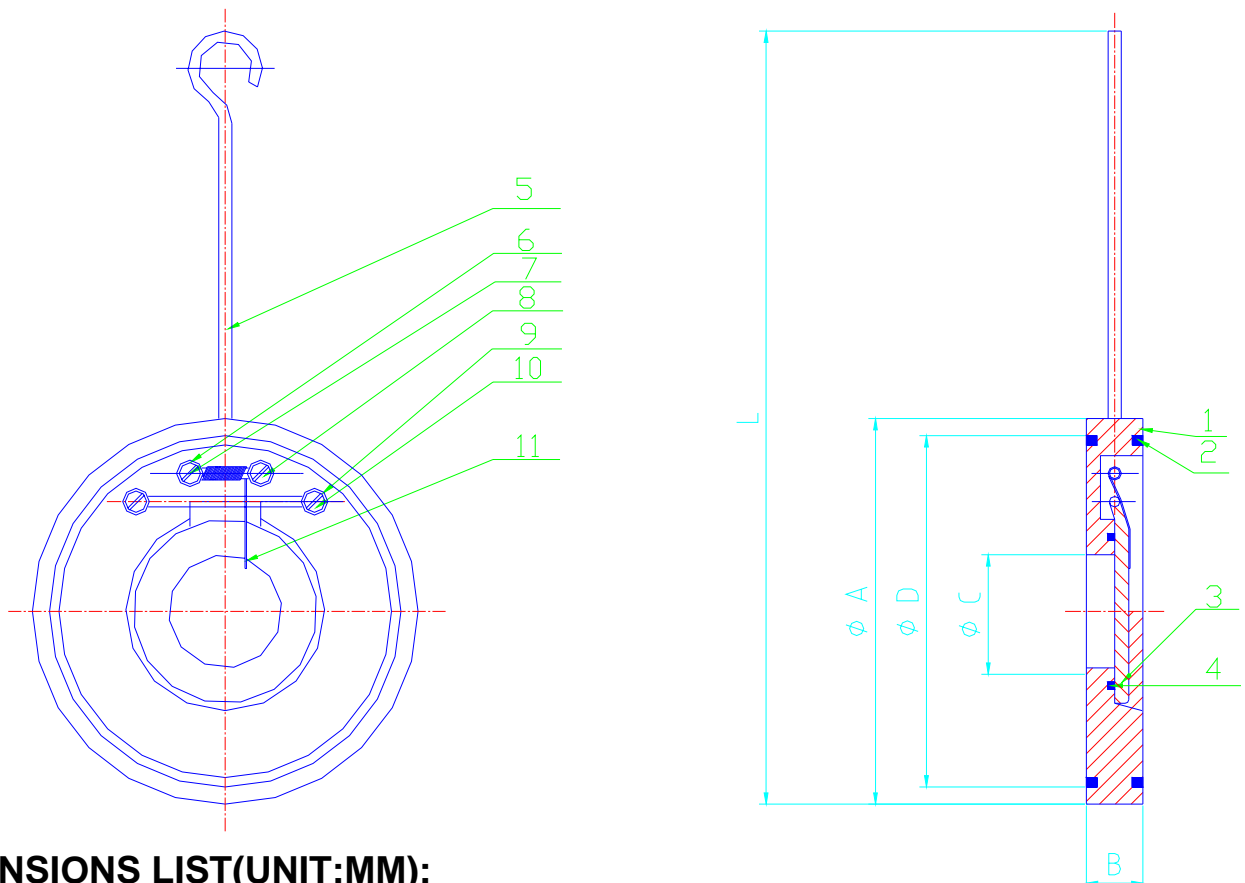
TEST PRESSURE TO API 598:

ANSI	SHELL (WATER)	SEAT(WATER)	SEAT(AIR)
PN10	15BARS	11BARS	6BARS
PN16	24BARS	17.6BARS	6BARS

PARTS AND MATERIAL (ASTM):

NO	PARTS NAME	MATERIAL
1	BODY	ASTM A216-WCB/A351-CF8/CF8M
2	O-RING	NBR/EPDM/VITON
3	DISC	ASTM A216-WCB/A351-CF8/CF8M
4	O-RING	NBR/EPDM/VITON
5	LIFT BOLT	SS304
6	SMALL COVER	SS304
7	SPRING SHAFT	SS304/SS316
8	SCREW	SS304
9	LARGE COVER	SS304
10	SCREW	SS304
11	SPRING	SS304/SS316

OTHER MATERIALS ARE AVAILABLE UPON REQUEST



DIMENSIONS LIST(UNIT:MM):

SIZE	A	B	C	D	L
DN40	94	16	22	81.4	195
DN50	109	16	32	94	206
DN65	129	17	40	111	230
DN80	144	17	55	123	245
DN100	164	18	70	147	265
DN125	195	18	92	171	297
DN150	220	20	112	200	321
DN200	275	22	154	256	376
DN250	331	26	192	302	436
DN300	380	32	227	352	484

*** We hereby reserve the rights of any alternative dimension that would help to improve our valve's quality and working efficiency**



SHANGHAI CIPHY INDUSTRY CO.,LTD
 7G-1 Building, N0.515 Yishan Rd.
 Shanghai, China
 TEL:+86-21-5497 5962
 FAX:+86-21-5497 5963
 HTTP://WWW.CIPHY.CN
 CIPHY@CIPHY.COM
 COPYRIGHT©2004-[CIPHY]
 ALL RIGHTS RESERVED.