

CAST IRON OR DUCTILE IRON GATE VALVE CLAMPING BONNET

DESIGN DESCRIPTION:

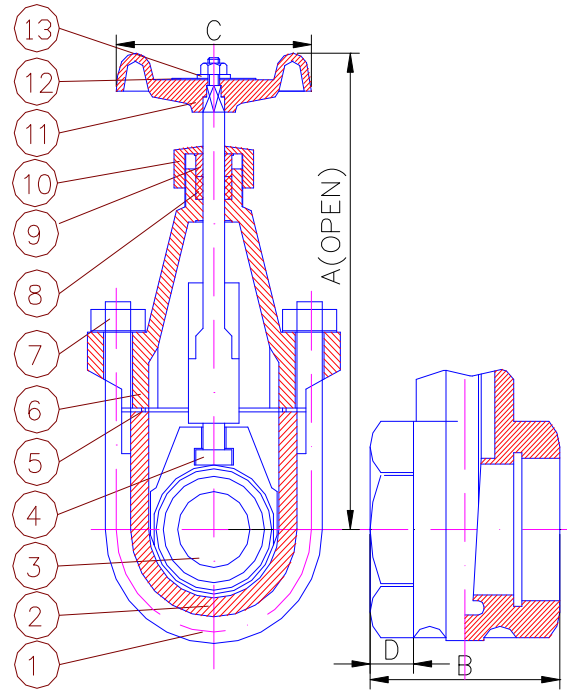
- Design: ANSI B 2.1 OR BS 21;
- Manufacture: ANSI B 2.1 OR BS 21;
- End To End: ANSI B16.10
- Thread: NPT,BSP&BSPT,DIN;
- Clamping Bonnet;
- Metal Seal;
- Material and Working Temp.:
 - ◆ Cast Iron and Ductile Iron: 0℃-80℃(32°F -176°F)
 - ◆ Brass/bronze Seal: 80℃(176°F) Maximum
 - ◆ Stainless Steel Seal: 80℃(176°F) Maximum



PARTS AND MATERIAL:

NO.	PARTS NAME		MATERIALS	
			QT-A	QT-B
1	U BOLT		STEEL A307-B	STEEL A307-B
2	BODY	1/4"~1"	ANSI A536	ANSI A536
		1-1/4"~4"	ANSI A126-B	ANSI A126-B
3	DISC	1/4"~1"	ANSI A536	ANSI A536
		1-1/4"~4"	ANSI A126-B	ANSI A126-B
4	STEM		BRASS B16	SS 410
5	GASKET		GTAPHITE	GRAPHITE
6	BONNET	1/4"~1"	ANSI A536	ANSI A536
		1-1/4"~4"	ANSI A126-B	ANSI A126-B
7	NUT		STEEL A307-B	STEEL A307-B
8	STEM PACKING		GTAPHITE	GTAPHITE
9	GLAND		BRASS B16	SS 410
10	SCREW		ANSI A126-B	ANSI A126-B
11	HANDWHEEL		ANSI A126-B	ANSI A126-B
12	NAME PLATE		ALIUMINIUM	ALIUMINIUM
13	WASHER		STEEL A307-B	STEEL A307-B

OTHER MATERIALS ARE AVAILABLE UPON REQUEST.



DIMENSIONS LIST(UNIT:MM):

DN	SIZE	A	B	C	D
8~15	1/4"~1/2"	5	2.09	2.12	0.46
20	3/4"	6.21	2.35	2.43	0.5
25	1"	7.5	2.4	2.95	0.62
32	1-1/4"	9	2.87	2.95	0.7
40	1-1/2"	9.14	3.14	3.15	0.75
50	2"	11.57	3.7	3.75	0.75
65	2-1/2"	12.87	4.17	4.76	0.9
75	3"	14.67	4.56	6	0.9
100	4"	19.2	6	9	0.98

✧ We hereby reserve the rights of any alternative dimension that would help to improve our valve's quality and working efficiency.