

CAST IRON OR DUCTILE IRON RISING STEM GATE VALVE BOLTED BONNET

DESIGN DESCRIPTION:

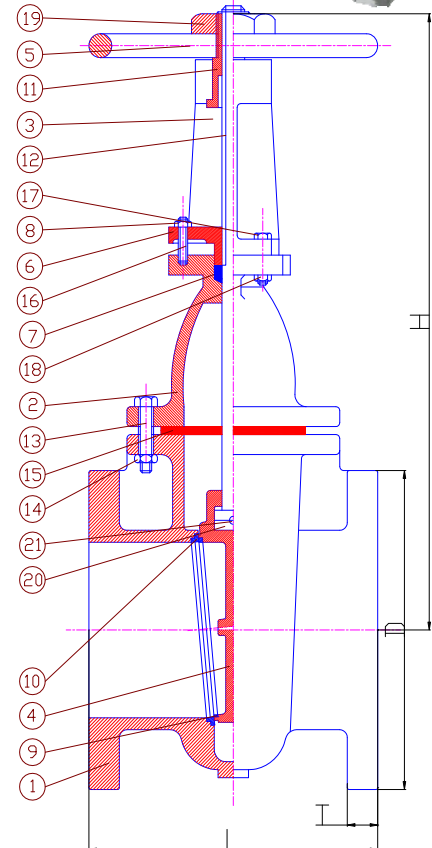
- Design: MSS SP-70;
- Manufacture: Factory STD;
- Face To Face: ANSI B16.10
- Flange: ANSI B16.1;
- Bolt Bonnet;
- Metal Seal;
- Material and Working Temp.:
 - ◆ Cast Iron and Ductile Iron: 0 °C-80 °C(32°F -176°F)
 - ◆ Brass/bronze Seal: 80 °C(176°F) Maximum
 - ◆ Stainless Steel Seal: 80 °C(176°F) Maximum



PARTS AND MATERIAL:

NO.	PARTS NAME	MATERIAL
1	BODY	ASTM A126-B/A536,DIN GG25/GGG40
2	BONNET	ASTM A126-B/A536,DIN GG25/GGG40
3	YOKE	ASTM A126-B/A536,DIN GG25/GGG40
4	DISC	ASTM A126-B/A536,DIN GG25/GGG40
5	HANDWHEEL	ASTM A126-B/A536,DIN GG25/GGG40
6	GLAND	DUCTILE IRON
7	GLAND STUD	ASTM A107-1020
8	GLAND STUD NUT	ASTM A107-1020
9	DISC SEAT RING	SS304
10	BODY SEAT RING	SS304
11	YOKE SLEEVE	ASTM B62 ALLOY 836
12	STEM	ASTM A267-410
13	BONNET BOLT	ASTM A107-1020
14	BONNET BOLT NUT	ASTM A107-1020
15	GASKET	ASBESTOS JOINT SHEET
16	GLAND PACKING	ASBESTOS
17	YOKE BOLT	ASTM A107-1020
18	YOKE BOLT NUT	ASTM A107-1020
19	WHEEL NUT	ASTM A126 CLASS B
20	STEM PIN	ASTM A107-1020
21	STEM NUT	ASTM B62 ALLOY 836

OTHER MATERIALS ARE AVAILABLE UPON REQUEST.



DIMENSIONS LIST(UNIT:MM):

SIZE	DN	D		L		H		T	
		10K	125BLS	10K	125BLS	10K	125BLS	10K	125BLS
1-1/2"	40	140	127	165	6.5"	245	10"	20	14.3
2"	50	155	152	180	7"	267	10.5"	20	15.9
2-1/2"	65	175	178	190	7.5"	280	11"	22	17.5
3"	75	185	190	200	8"	300	12"	22	19.1
4"	100	210	229	230	9"	405	16"	24	23.9
5"	125	250	254	250	10"	4600	18"	24	23.9
6"	150	280	279	270	10.5"	560	22"	26	25.4
8"	200	330	343	290	11.5"	705	28"	26	28.6
10"	250	400	406	330	13"	880	35"	30	30.2
12"	300	445	483	350	14"	1100	44"	32	31.8

✧ We hereby reserve the rights of any alternative dimension that would help to improve our valve's quality and working efficiency.