

# SHANGHAI CIPHY INDUSTRY LTD.,CO.

## DIN PN16

### CARBON STEEL OR STAINLESS STEEL

### PISTON VALVE BOLTED BONNET DESIGN

**MODEL NO: SHDXRF-000**



#### **PISTON VALVE PRODUCT'S SIZE:**

PRESSURE GRADE	FROM	TO
PN 16	1/2"	12"
PN 25	1-1/2"	12"
PN 40	1/2"	8"

#### **DESIGN DESCRIPTION:**

- \* BOLTED BONNET AND WELDING BONNET;
- \* WELDING SEAT;
- \* INTEGRAL SEATS;
- \* HANDWHEEL OPERATOR;
- \* AVAILABLE WITH GEAR OPERATOR;
- \* FLANGED ENDS OR BUTT-WELDING ENDS;
- \* RISING FLANGE OR RING TYPE JOINT.

#### **WORKING PRESSURE AND TEMPERATURE**

WORKING TEMPERATURE		
MATERIAL	CELSIUR SCALE	FAHRENHEIT
CARBON STEEL	-29 <sup>0</sup> C~425 <sup>0</sup> C	6 <sup>0</sup> F~822 <sup>0</sup> F
STAINLESS STEEL	-40 <sup>0</sup> C~550 <sup>0</sup> C	15 <sup>0</sup> F~1047 <sup>0</sup> F

#### **GENERAL DESIGN SPECIFICATIONS:**

ITEM	DIN PN 16	DIN PN 25	DIN PN 40
MANUFACTURE	DIN 3356		
FACE TO FACE	DIN 3202 F1		
END FLANGE	DIN 2543	DIN 2544	DIN 2545
INSPECTION AND TEST	DIN 3230		

#### **TEST PRESSURE TO DIN 3230:**

DIN	SHELL (WATER)	SEAT (WATER)	SEAT (AIR)	BACK SEAT(WATER)
PN 16	2.4MPa	1.76MPa	0.6MPa	1.76MPa
PN 25	3.75MPa	2.75MPa	0.6MPa	2.75MPa
PN 40	6.0MPa	4.4MPa	0.6MPa	4.4MPa

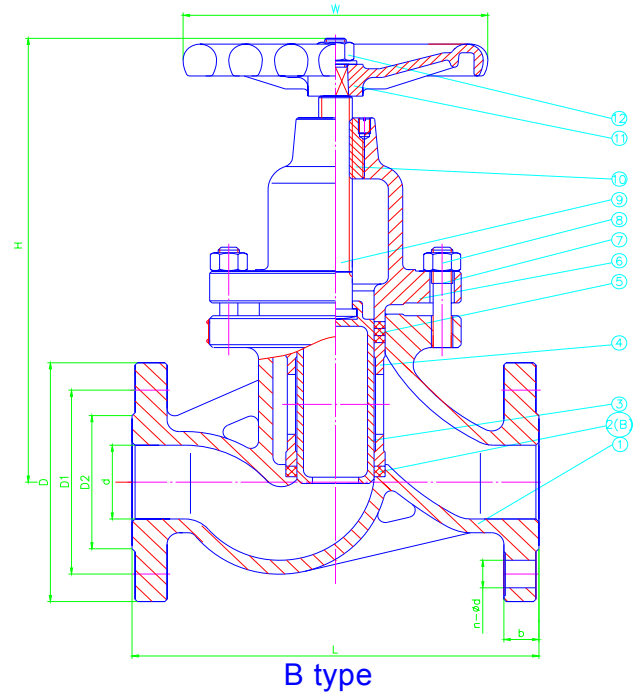
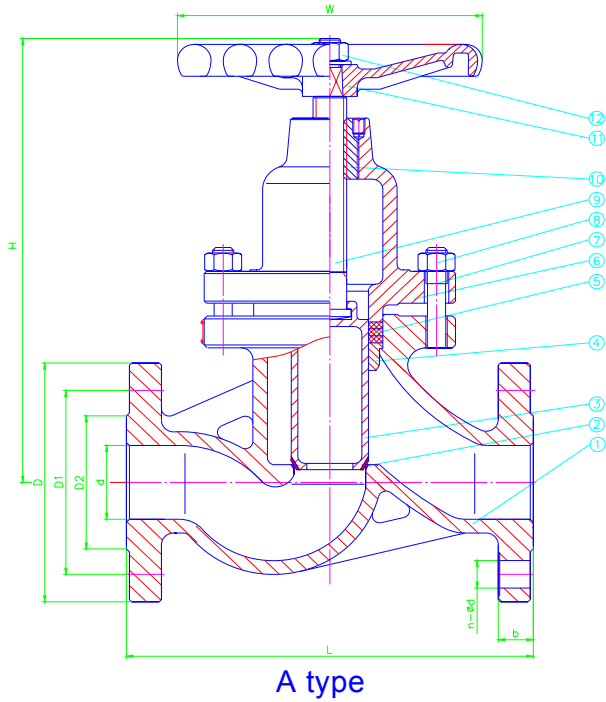
#### **TRIMS SPECIFIED DUE TO TABLE 3:**

DISC SEAT SURFACE PART NO.3	BODY SEAT SURFACE PART NO.2	STEM PART NO.9	SEAL RING PART NO.2(B)
F6	F6	F6	PTFE OR GRAPHITE
STELLITE	STELILITE	F6	
F6	STELILITE	F6	
F304	F304	F304	
F316	F316	F316	
MONEL	MONEL	MONEL	
ALLOY 20	ALLOY 20	ALLOY 20	
HASTELLOY B	HASTELLOY B	HASTELLOY B	
BRONZE	BRONZE	BRONZE	
CF8	R-PTFE(INSERT)	S.S.	
OTHER MATERIALS ARE AVAILABLE UPON REQUEST.			

**PARTS AND MATERIAL (ASTM)**

NO	PARTS NAME	MATERIAL								
1	BODY	A216WCB	A352LCB	A217WC1	A217WC5	A217WC6	A351CF8	A351CF8M	A351CF3	A351CF3M
4	SEAT RIONG	DUCTILE IRON					A351CF8	A351CF8M	A351CF3	A351CF3M
5	GASKET	REINFORCED FLAT GRAPHITE,OR SS SPIREAL WOUND W/GRAPHITE								
6	BONNET	A216WCB	A352LCB	A217WC1	A217WC5	A217WC6	A351CF8	A351CF8M	A351CF3	A351CF3M
7	BONNET BOLT	A193B7	A320L7	A193B7	A193B16	A193B16	A193B8	A193B8	A193B8	A193B8
8	BONNET BOLT NUT	A1942H	A1944	A1942H	A1944	A1944	A1948	A1948	A1948	A1948
16	STEM NUT	A439-D2 OR A276-410								
17	HANDWHEEL	DUCTILE IRON								
18	H.W.LOCK NUT	STEEL								

OTHER MATERIALS ARE AVAILABLE UPON REQUEST.



**DIMENSIONS LIST(UNIT:MM):**

PN 16										
DN	SIZE	d	D	D1	D2	b	n-φd	L (F1)	H(OPEN)	W
15	1/2"	15	95	65	45	16	4-14	130	203	120
20	3/4"	20	105	75	58	18	4-14	150	223	140
25	1"	25	115	85	68	18	4-14	160	230	160
40	1-1/2"	40	150	110	88	18	4-18	200	268	200
50	2"	50	165	125	102	20	4-18	230	279	240
65	2-1/2"	65	185	145	122	20	4-18	290	336	240
80	3"	80	200	160	138	20	8-18	310	357	280
100	4"	100	220	180	158	20	8-18	350	419	320
150	6"	150	285	240	212	22	8-22	480	473	360
200	8"	200	340	295	268	24	12-22	600	530	400
250	10"	250	405	355	320	26	12-26	730	564	450
300	12"	300	460	410	378	28	12-26	850	670	500

PN 25										
DN	SIZE	d	D	D1	D2	b	n-φd	L(F1)	H(OPEN)	W
40	1-1/2"	40	150	110	88	18	4-18	200	200	200
50	2"	50	165	125	102	20	4-18	230	215	240
65	2-1/2"	65	185	145	122	22	8-18	290	255	240
80	3"	80	200	160	138	24	8-18	310	295	280
100	4"	100	235	190	162	24	8-22	350	330	320
150	6"	150	300	250	212	28	8-26	480	420	360
200	8"	200	365	310	278	30	12-26	600	530	400
250	10"	250	425	370	335	32	12-30	730	560	450
300	12"	300	485	430	395	34	16-30	850	670	500

## PN 40

DN	SIZE	d	D	D1	D2	b	n-φd	L(F1)	H(OPEN)	W
15	1/2"	15	95	65	45	16	4-14	130	125	120
20	3/4"	20	105	75	58	18	4-14	150	145	140
25	1"	25	115	85	68	18	4-14	160	165	160
40	1-1/2"	40	150	110	88	18	4-18	200	200	200
50	2"	50	165	125	102	20	4-18	230	215	240
65	2-1/2"	65	185	145	122	22	8-18	290	255	280
80	3"	80	200	160	138	24	8-18	310	295	320
100	4"	100	235	190	162	24	8-22	350	330	360
150	6"	150	300	250	212	28	8-26	480	420	400
200	8"	200	375	320	285	34	12-30	600	530	400

**\* We hereby reserve the rights of any alternative dimension that would help to improve our valve's quality and working efficiency**



**SHANGHAI CIPHY INDUSTRY CO.,LTD**  
**7G-1 Building, N0.515 Yishan Rd.**  
**Shanghai, China**  
**TEL:+86-21-5497 5962**  
**FAX:+86-21-5497 5963**  
**HTTP://WWW.CIPHY.CN**  
**CIPHY@CIPHY.COM**  
**COPYRIGHT©2004-[CIPHY]**  
**ALL RIGHTS RESERVED.**