

SHANGHAI CIPHY INDUSTRY CO.,LTD.

ANSI CLASS 150/300/600/900

CARBON STEEL OR STAINLESS STEEL

PLUG VALVE BOLTED BONNET DESIGN

MODEL NO: SPAXRF-LF



PLUG CHECK VALVE PRODUCT'S SIZE:

PRESSURE GRADE	FROM	TO
CLASS 150	1-1/2"	14"
CLASS 300	1-1/2"	14"
CLASS 600	1-1/2"	12"
CLASS 900	1-1/2"	12"

DESIGN DESCRIPTION:

- * BOLTED BONNET;
- * INTEGRAL SEATS;
- * NON-RISING HAND WHEEL;
- * LIFT TYPE;
- * METAL TO METAL SEAT;
- * FLANGED ENDS OR BUTT-WELDING ENDS;
- * RISING FLANGE OR RING TYPE JOINT.

WORKING PRESSURE AND TEMPERATURE

WORKING TEMPERATURE		
MATERIAL	CELSIUR SCALE	FAHRENHEIT
CARBON STEEL	-290C~4250C	60F~8220F
STAINLESS STEEL	-400C~5500C	150F~10470F

GENERAL DESIGN SPECIFICATIONS:

ITEM	AMERICAN STANDARD
MANUFACTURE	API 6D OR API 599
PRESSURE-TEMPERATURE RATINGS	ANSI B16.34
FACE TO FACE	ANSI B16.10
END TO END	ANSI B16.10
END FLANGE	ANSI B16.5
END BUTT-WELDING	ANSI B16.25
GASKET CONTACT	ANSI B16.5
INSPECTION AND TEST	API 598 OR API 6D

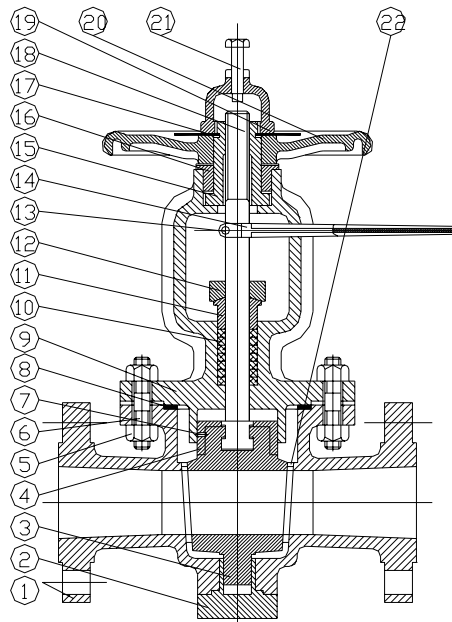
TEST PRESSURE TO API 598

CLASS	SHELL (WATER)		SEAT (WATER)		SEAT (AIR)	
150	3.1MPA	450PSI	2.2MPA	315PSI	0.6MPA	80PSI
300	7.8MPA	1125PSI	5.6MPA	815PSI	0.6MPA	80PSI
600	15.3MPA	2225PSI	11.2MPA	1630PSI	0.6MPA	80PSI
900	23.4MPA	3330PSI	17.2MPA	2442PSI	0.6MPA	80PSI

TRIMS SPECITIED DUE TO TABLE 3:

BODY SEAT SURFACE PART NO.22	stem PART NO.18
F6	F6
STELILITE	F6
304	F304
316	F316
304L	F304L
316L	F316L

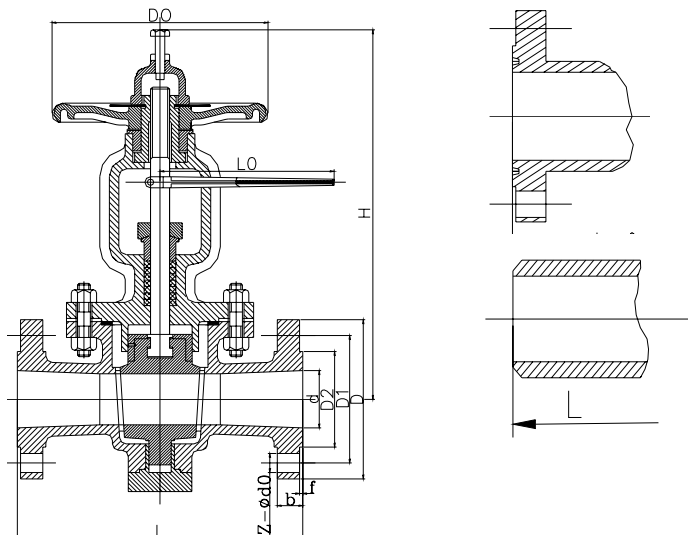
OTHER MATERIALS ARE AVAILABLE UPON REQUEST.



PARTS AND MATERIAL (ASTM)

NO	PARTS NAME	MATERIAL				
		ASTM A 216-WCB	A351-CF8	A351-CF8M	A351-CF3	A351-CF3M
1	BODY	ASTM A 216-WCB	A351-CF8	A351-CF8M	A351-CF3	A351-CF3M
2	UNDER COVER	ASTM A 216-WCB	A351-CF8	A351-CF8M	A351-CF3	A351-CF3M
3	PLG	ASTM A 351-CF8	A351-CF8	A351-CF8M	A351-CF3	A351-CF3M
4	CAP	ASTM A216-WCB	A351-CF8	A351-CF8M	A351-CF3	A351-CF3M
5	BONNET NUT	ASTM A194-2H	A1948	A1948	A1948	A1948
6	BONNET BOLT	ASTM A193-B16	A193B8	A193B8	A193B8	A193B8
7	CAP PIN	CARBON STEEL	STAINLESS STEEL			
8	GASKET	REINFORCED FLAT GRAPHITE,OR SS SPIREAL WOUND W/GRAPHITE OR PTFE,OR REINFORCEPTFE				
9	BONNET	ASTM A216-WCB	A351-CF8	A351-CF8M	A351-CF3	A351-CF3M
10	STEM PACKING	GRAPHITE				
11	GLAND	ASTM A182-F6	A182-F304	A182-F316	A182-F316	A182-F316
12	GLAND FLANGE	ASTM A216-WCB	A351-CF8	A351-CF8M	A351-CF3	A351-CF3M
13	HANDLE PING	CARBON STEEL	STAINLESS STEEL			
14	HANDLE	CAST IRON				
15	STEM NUT	ASTM A439-D2				
16	RETAINER NUT	ASTM A36				
17	NAME PLATE	ALUMINA/STAINLESS STEEL				
19	BOLT	CARBON STEEL				
20	COVER	CARBON STELL				
21	HANDWHEEL	CAST IRON				

OTHER MATERIALS ARE AVAILABLE UPON REQUEST.



DIMENSIONS LIST(UNIT:inch):

CLASS 150															
DN	SIZE	L			d	D	D1	D2	b	Z-d0	f	L0	H	D0	WT (KG)
		RF	RTJ	BW											
40	1-1/2"	222	235	222	38	127	98.5	73	14.5	4-15	1.6	200	210	200	10
50	2"	267	580	267	50	152	120.5	92	16	4-19	1.6	250	260	200	13
65	2-1/2"	298	311	305	64	178	139.5	105	17.5	4-19	1.6	250	300	200	17
75	3"	343	356	330	76	190	152.5	127	19.5	4-19	1.6	300	330	250	23
100	4"	423	445	356	100	229	190.5	157	24	8-19	1.6	300	350	300	33
125	5"	508	521	381	125	254	216	186	24	8-22	1.6	330	370	300	62
150	6"	533	546	394	150	279	241.5	216	25.5	8-22	1.6	330	440	350	95
200	8"	635	648	457	201	343	298.5	270	29	8-22	1.6	350	550	350	160
250	10"	787	800	533	252	406	362	324	30.5	12-25	1.6	400	650	400	278
300	12"	914	927	610	303	483	432	381	32	12-25	1.6	450	750	400	430
350	14"	978	991	686	337	533	476	413	35	12-29	1.6	500	800	450	620
CLASS 300															
40	1-1/2"	241	254	241	38	156	114.5	73	21	4-22	1.6	250	210	250	14
50	2"	283	299	267	50	165	127	92	22.5	8-19	1.6	300	260	250	20
65	2-1/2"	330	346	305	64	190	149	105	25.5	8-22	1.6	350	300	300	25
75	3"	387	403	330	76	210	168.5	127	29	8-22	1.6	350	330	300	35
100	4"	457	473	356	100	254	200	157	32	8-22	1.6	350	350	350	52
125	5"	508	524	381	125	279	235	186	35	8-22	1.6	350	370	350	85
150	6"	559	575	457	150	318	270	216	37	12-22	1.6	400	440	400	130
200	8"	686	702	521	201	381	330	270	41.5	12-25	1.6	450	550	450	210
250	10"	826	842	559	252	445	387.5	324	48	16-29	1.6	500	650	500	340
300	12"	965	981	635	303	521	451	381	51	16-32	1.6	550	750	550	510
350	14"	991	1007	762	337	584	514.5	413	54	20-32	1.6	600	800	600	750
CLASS 600															
40	1-1/2"	318	318	241	38	156	114.5	73	22.5	4-22	6.4	250	230	250	20
50	2"	330	333	292	50	165	127	92	25.5	8-19	6.4	300	280	250	28
65	2-1/2"	381	384	330	64	190	149	105	29	8-22	6.4	350	320	300	35
75	3"	444	447	356	76	210	168.5	127	32	8-22	6.4	350	350	300	45
100	4"	508	511	432	100	273	216	157	38.5	8-25	6.4	400	380	350	68
125	5"	559	562	508	125	330	266.5	186	44.5	8-29	6.4	400	400	400	100
150	6"	660	663	559	150	356	292	216	48	12-29	6.4	450	470	450	155
200	8"	794	797	660	201	419	349	270	55.5	12-32	6.4	500	580	500	255
250	10"	940	943	787	252	508	432	324	63.5	16-35	6.4	550	680	550	390
300	12"	1067	1070	838	303	559	489	381	67	20-35	6.4	600	780	600	570
CLASS 900															
40	1-1/2"	356	356	305	38	178	124	73	32	4-29	6.4	300	250	300	28
50	2"	381	384	368	50	216	165	92	38.5	8-26	6.4	350	300	300	39
65	2-1/2"	432	435	419	64	244	190.5	105	41.5	8-29	6.4	400	340	300	49
75	3"	470	473	381	76	241	190.5	127	38.5	8-29	6.4	450	370	350	63
100	4"	559	562	457	100	292	235	157	44.5	8-32	6.4	450	400	400	95
125	5"	610	613	559	125	349	279.5	186	51	8-35	6.4	500	430	450	140
150	6"	737	740	610	150	381	317.5	216	56	12-32	6.4	550	500	500	215
200	8"	813	816	737	201	470	393.5	270	63.5	12-39	6.4	600	520	550	350
250	10"	965	968	838	252	545	470	324	70	16-39	6.4	700	620	600	540
300	12"	1118	1121	965	303	610	533.5	381	79.5	20-39	6.4	700	820	650	790

*** We hereby reserve the rights of any alternative dimension that would help to improve our valve's quality and working efficiency**



SHANGHAI CIPHY INDUSTRY CO.,LTD
7G-1 Building, N0.515 Yishan Rd.
Shanghai, China
TEL:+86-21-5497 5962
FAX:+86-21-5497 5963
HTTP://WWW.CIPHY.CN
CIPHY@CIPHY.COM
COPYRIGHT©2004-[CIPHY]
ALL RIGHTS RESERVED.